

HSC1-BAD1321BNN000



NOVUX™ Prodigy™ Hardened Standard Closure, 4 ports, 2 Left and 2 Right, 2 Trays, Black

- The NOVUX™ HSC1 Prodigy™ closure is optimized for building façade applications where as many as eight customers can be connector using hardened Prodigy™ drop cables
- NOVUX™ Prodigy™ smaller terminal size for aesthetics and allowing installation in constrained spaces
- Hardened connectors are factory-integrated and environmentally sealed for use in optical drop cable deployments
- Can be used in conjunction with Commscope retractable cable or Micro Structure cable
- Locking mechanism included for extra security
- Plug-and-play adapter ports ensure rapid cable installment in the outside plant access section of the network
- CommScope Product ID plate with QR code link to product documents and C-Track
- NOVUX™ Prodigy™ terminals are available in Black (RAL# 9005) or Gray (RAL# 7035)

Product Classification

| | |
|-----------------------------------|---|
| Regional Availability | EMEA |
| Regional Availability Note | Contact your local CommScope representative for specific availability |
| Product Type | Access terminal, without splitter/tap |
| Product Brand | NOVUX™ |
| Product Series | HSC1 |
| Minimum Order Quantity | 1 |

General Specifications

| | |
|-------------------------------|--|
| Cable Capacity, Branch | 2 Round 8.0–12.0 mm (0.31–0.47 in) |
| Cable Capacity, Drop | 6 Round 3.0–6.0 mm (0.12–0.23 in) for pre-connectorized cables 6 Round 3.0–7.0 mm (0.12–0.27 in) |
| Cable Capacity, Feeder | 2 Round 8.0–12.0 mm (0.31–0.47 in) |
| Cable Sealing Type | Gasket/grommet configuration |
| Distribution Type | 4 ports |
| Drop Port Type | Hardened Prodigy SC/APC |
| Drop Port, quantity | 4 |
| Enclosure Color | Black (RAL 9005) |
| Mounting | Facade Wall |
| Port Type | Hardened Prodigy SC/APC |

HSC1-BAD1321BNN000

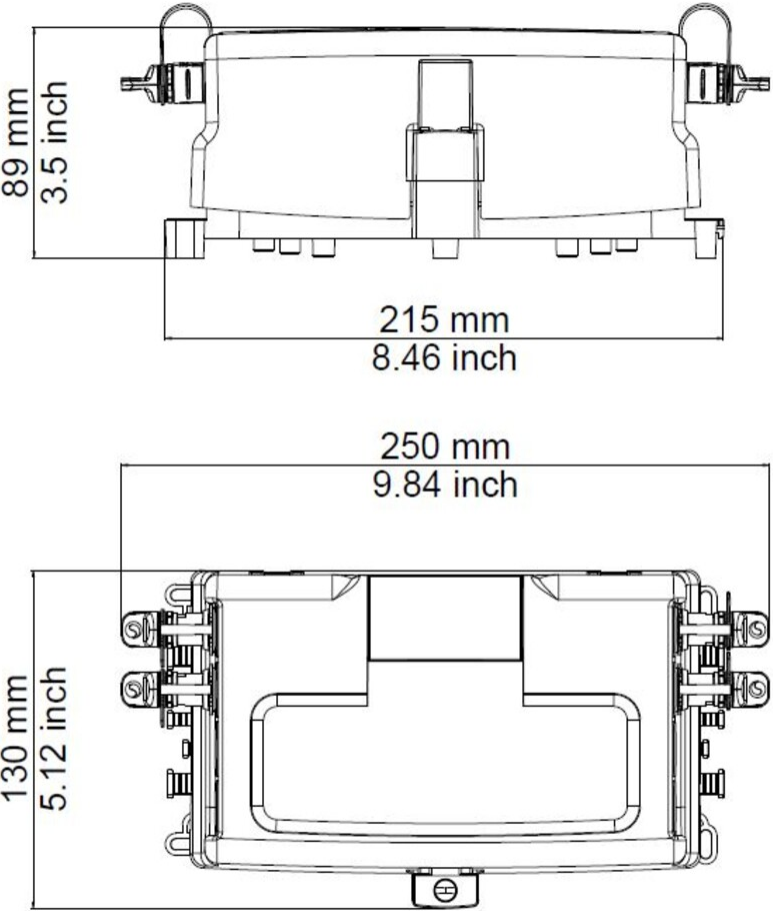
| | |
|---------------------------------------|---|
| Port, quantity | 4 |
| Splice Tray Included, quantity | 2 |
| Splice Tray Type Included | 12-way, heat shrink + 18-way, heat shrink |
| Splicing Capacity, maximum | 30 |
| Splicing Type, Supported | Single fusion |
| Split Ratio | Symmetrical |
| Splitter Type | 1 x 4 |
| Splitter, quantity | 1 |

Dimensions

| | |
|---------------|-------------------|
| Height | 89 mm 3.504 in |
| Width | 130 mm 5.118 in |
| Length | 215 mm 8.465 in |

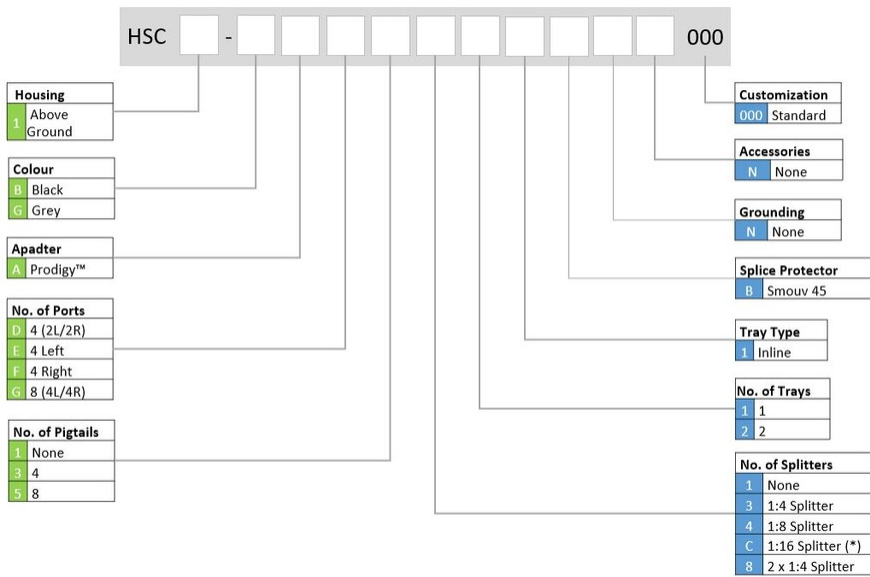
Dimension Drawing

HSC1-BAD1321BNN000



Ordering Tree

HSC1-BAD1321BNN000



(*) 8 Legs SC/APC, 8 legs unterminated 2 trays

Material Specifications

Enclosure Material Type Hardened plastic

Optical Specifications

Fiber Type G.657.A1 | G.657.A2 | G.657.B3

Operating Wavelength Range 1260 – 1635 nm

Attenuation Splitter, maximum 7.1 dB

Return Loss, Connector, typical 55 dB

Environmental Specifications

Operating Temperature -40 °C to +65 °C (-40 °F to +149 °F)

Relative Humidity 5%–100%, condensing

Environmental Space Facade | Outdoor

Qualification Standards IEC 61753-1, category A -free breathing terminal- | IP55 (IEC 60529 and IEC 63334) -free breathing terminal-

UV Resistance UV stabilized

Packaging and Weights

Packaging quantity 1

Packaging Type Box

HSC1-BAD1321BNN000

Weight, net

0.595 kg | 1.312 lb

Regulatory Compliance/Certifications

Agency

Classification

CHINA-ROHS

Below maximum concentration value

ISO 9001:2015

Designed, manufactured and/or distributed under this quality management system

REACH-SVHC

Compliant as per SVHC revision on www.commscope.com/ProductCompliance

ROHS

Compliant

UK-ROHS

Compliant

