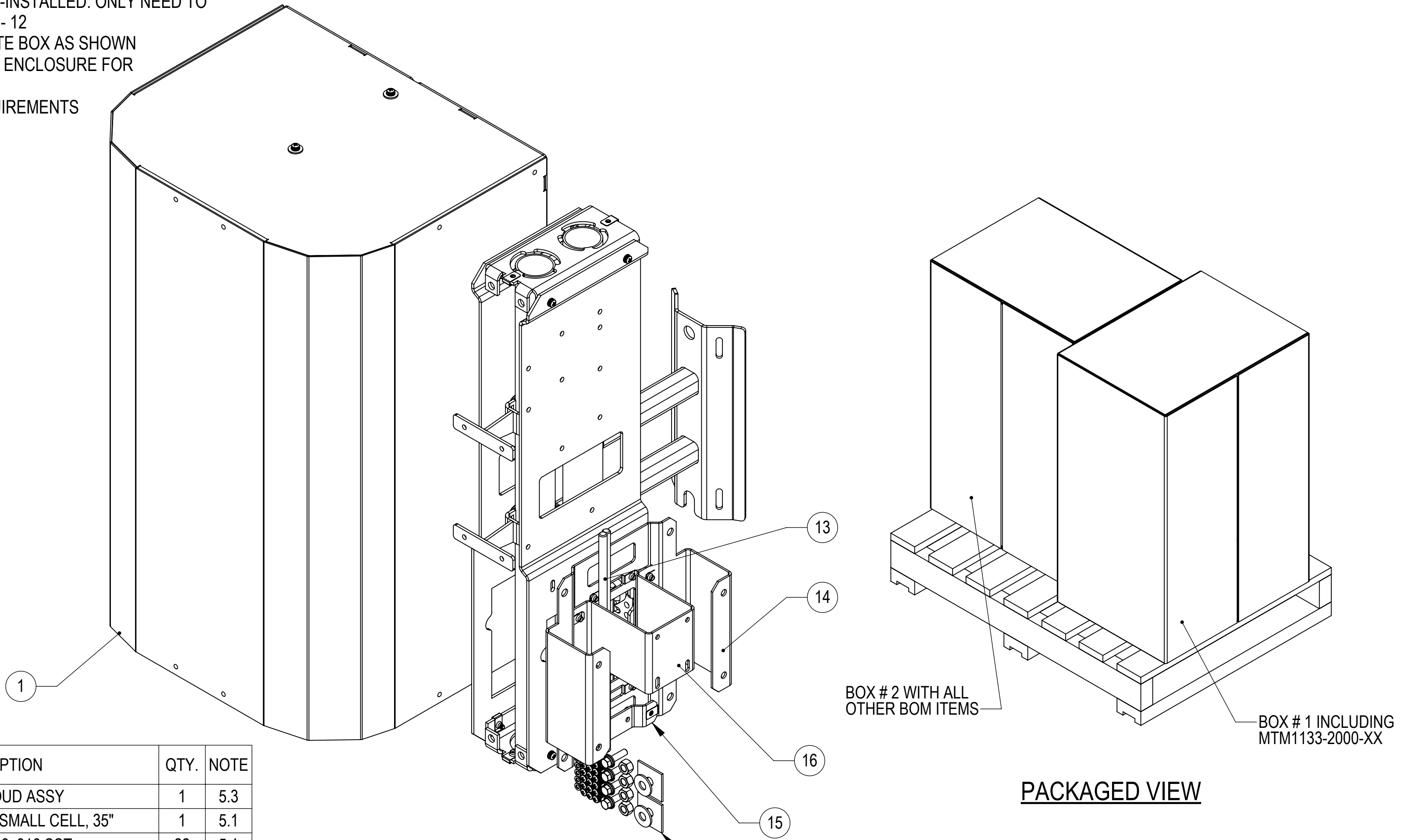


1. GENERAL NOTES
2. DESIGN NOTES
3. MANUFACTURING/SPECIAL REQUIREMENTS
4. TEST
5. PACKAGING

- 5.1 ITEM 2 - 12 TO BE PRE-ASSEMBLED AS SHOWN ON SHEET 2 AND 3
- 5.2 ITEM 13 - 16 NOT REQUIRED TO BE PRE-INSTALLED. ONLY NEED TO BE PACKAGED IN SAME BOX AS ITEM 2 - 12
- 5.3 ITEM 1 TO BE PACKAGED IN A SEPARATE BOX AS SHOWN
- 5.4 PRINTED DOCUMENT TO BE PLACED IN ENCLOSURE FOR CUSTOMER REFERENCE
- 5.5 TO BE PACKAGED PER IS-PL-3005 REQUIREMENTS

REV.		ECN	REVISIONS	
REV.	ECN	DESCRIPTION	BY	DATE
A	8000044855	INITIAL RELEASE	JP1130	01/18/2021



ITEM NO.	PART NUMBER	DESCRIPTION	QTY.	NOTE
1	MTM1133-2000-XX	WPB SHROUD ASSY	1	5.3
2	MTC38880135	WELDMENT, RRU SMALL CELL, 35"	1	5.1
3	460143456	CLIP NUT, M6, 316 SST	22	5.1
4	31670-2S	ROUND MEMBER ADAPTER, 50-75mm, 1EA	4	5.1
5	MTC388830	RECTIFIER STANOFF MOUNT	2	5.1
6	MT520	INSULATOR W/ 3/8" INSERT	2	5.1
7	MTC388804	6 POSITION GROUND BAR 2" X 7", COPPER	1	5.1
8	MTC388818	GROUND BAR STRAP BRACKET	2	5.1
9	SB-0306	3/8" X 3/4" SS BOLT	2	5.1
10	SWL-03	3/8" SS LOCK WASHER	2	5.1
11	MTM1133-1101	WPB MAIN BRACKET - SAMSUNG	2	5.1
12	100117-4	FA,SEMS,PH,XRES,M6X25,SST,PASS	8	5.1
13	MT37916	1/2" X 16" GALV THREADED ROD	2	5.2
14	MTM1133-1102	WPB RECTIFIER BRACKET	1	5.2
15	MTM1133-1103	WPB SAMSUNG CBRS ADAPTER	1	5.2
16	MTM1133-1104	WPB SAMSUNG LAA ADAPTER	1	5.2
17	MTM00HK-0021	WPB SAMSUNG HW KIT	1	5.2
18	760250953S INSTALL	REFERENCE DOCUMENT	1	5.4

DENSITY	82.700	lbs/in ³
MASS	609.39	lbs
VOLUME	10699.13	in ³
SURFACE AREA		in ²
HEIGHT		
LENGTH		
WIDTH		

COMMSCOPE, INC. OF NORTH CAROLINA										
TOLERANCES					SAP MATERIAL MASTER					
1 PLACE .X ± 0.2			3 PLACE .XXX ± 0.063		SSC-760250953S-XX					
2 PLACE .XX ± 0.13			ANGLES ± 1.0°							
FINISH N/A					MATERIAL SEE BOM					
UNLESS OTHERWISE SPECIFIED DIMENSIONS ARE IN INCHES INTERPRET PER ANSI Y 14.5M-1994	CE	JP1130	01/18/2021	WPB W/ SHROUD - SAMSUNG						
	RW	JP1130	01/26/2021							
	RV									
	AD	TN1010	01/26/2021							
	RE	JP1130	01/26/2021							
ECN 008000044855				SCALE	DOCUMENT NO.					
				1:5	SSC-760250953S-XX					
SIZE	WORK AREA	24		MODEL			DRAWING			SHEET
C	⊕	◁	VERSION	STATUS	REVISION	VERSION	STATUS	REVISION	1 OF 4	
			00	RE	A	00	RE	A		

4

3

2

1

D

D

C

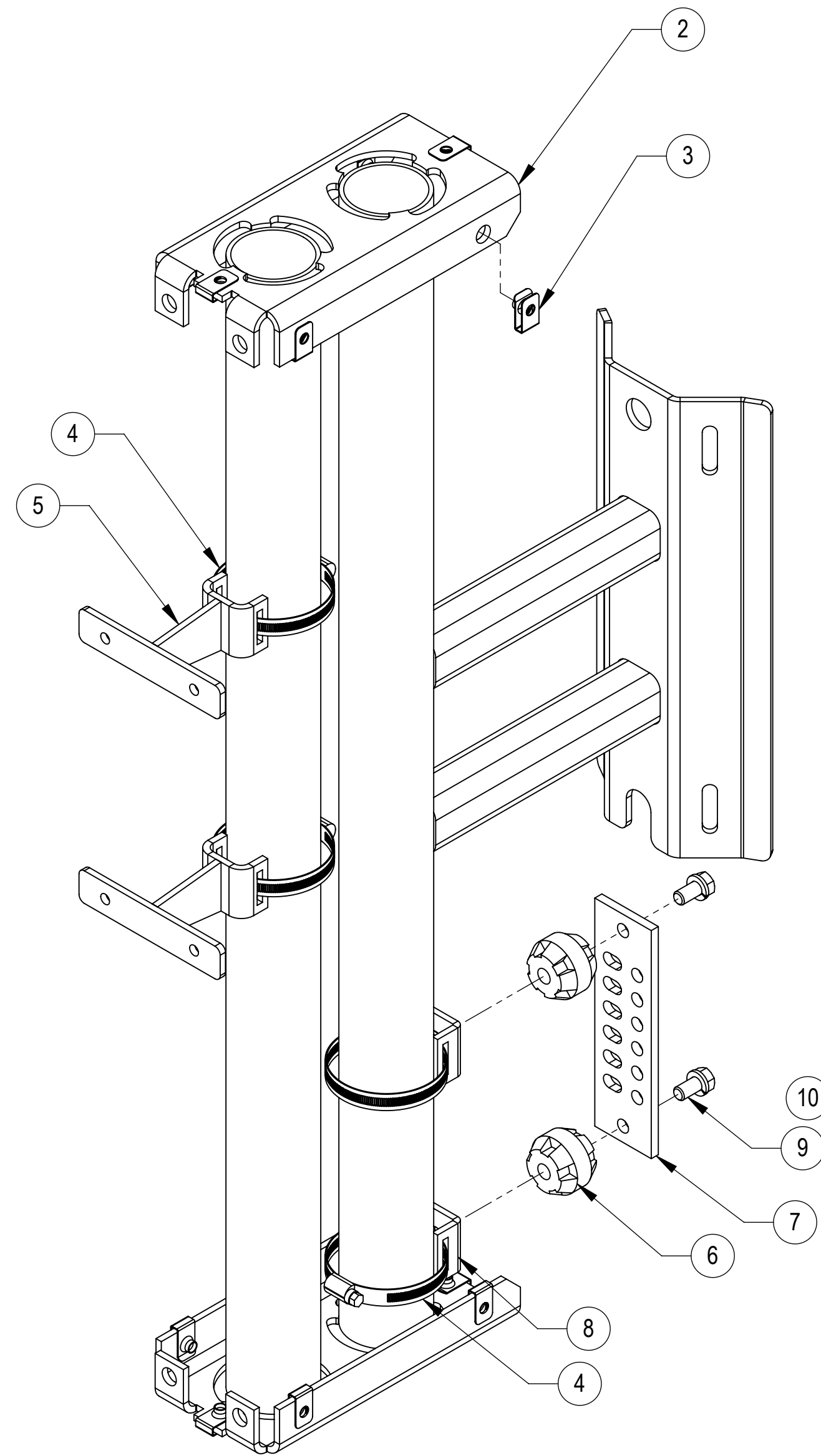
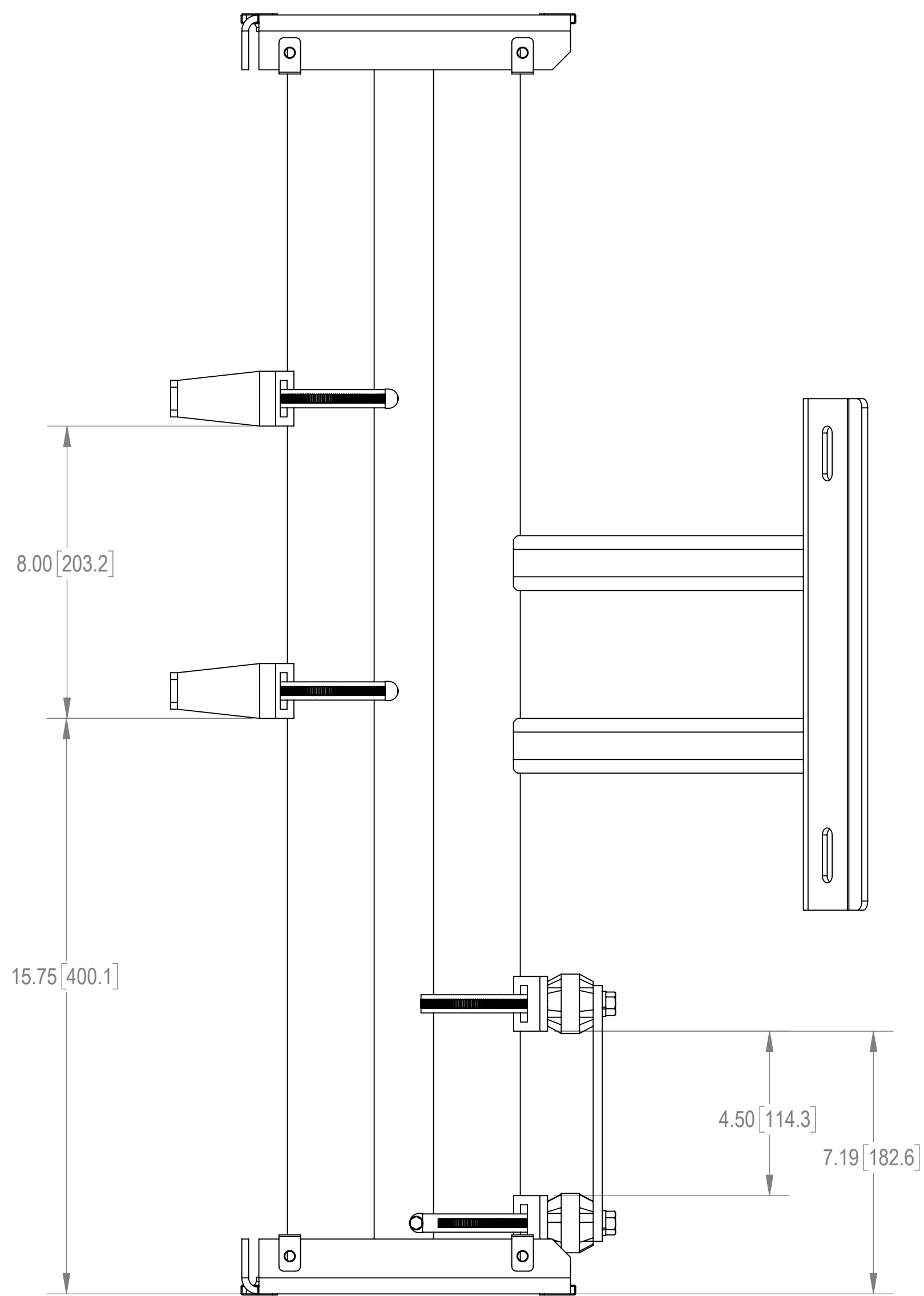
C

B

B

A

A



COMMSCOPE, INC. OF NORTH CAROLINA				
TITLE WPB W/ SHROUD - SAMSUNG				
SIZE C	SCALE 1:4	DOCUMENT NO. SSC-760250953S-XX		
DRAWING		VERSION	STATUS	REVISION
		00	RE	A
				SHEET 2 OF 4

© 2021 CommScope, Inc. Confidential

4

3

2

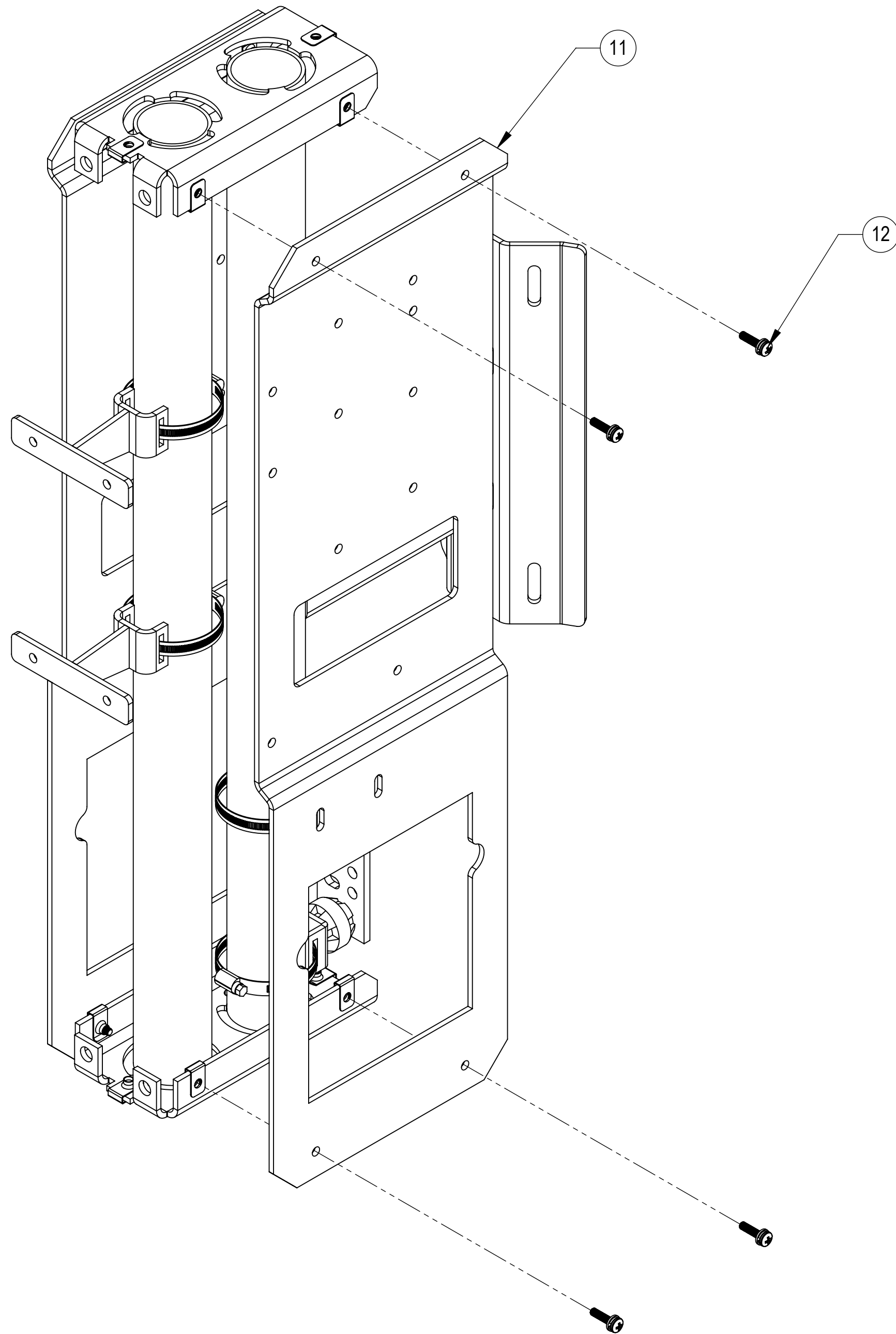
1

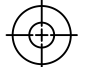
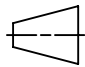
4

3

2

1



COMMSCOPE, INC. OF NORTH CAROLINA					
TITLE WPB W/ SHROUD - SAMSUNG					
SIZE C	SCALE 1:4	DOCUMENT NO. SSC-760250953S-XX			
 		DRAWING			SHEET 3 OF 4
		VERSION 00	STATUS RE	REVISION A	

© 2021 CommScope, Inc. Confidential

4

3

2

1

D

D

C

C

B

B

A

A

4

3

2

1

D

D

C

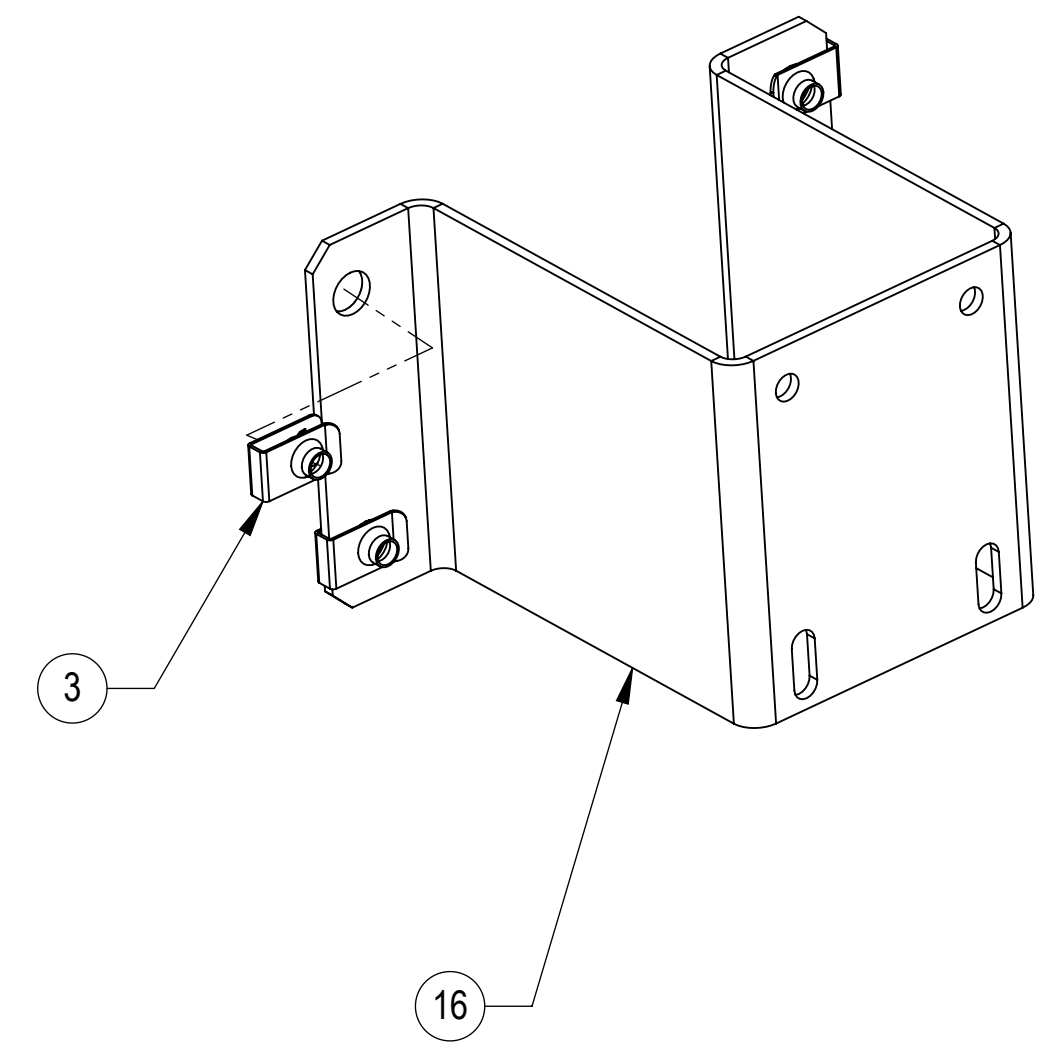
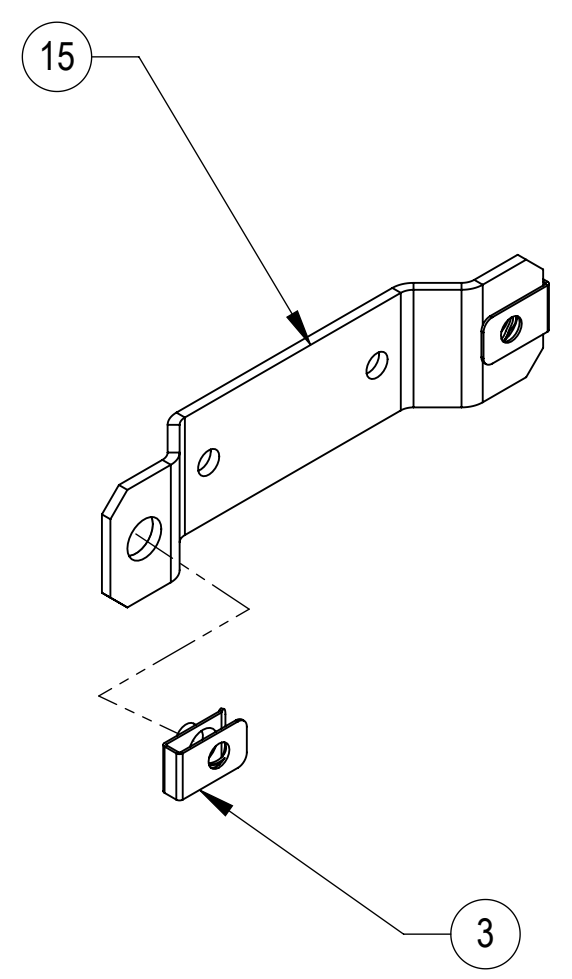
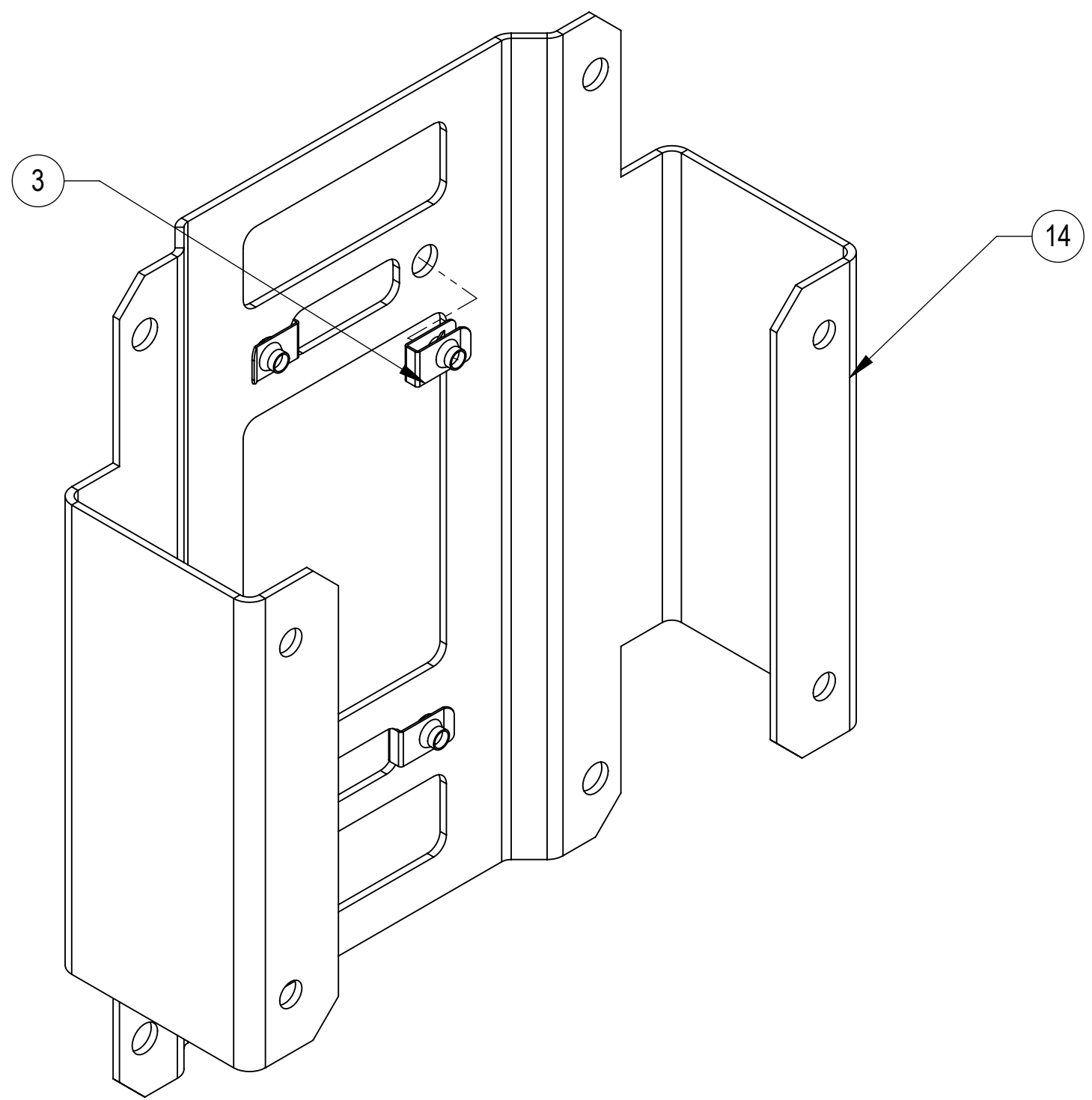
C

B


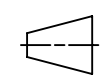
B

A

A



© 2021 CommScope, Inc. Confidential

COMMScope, INC. OF NORTH CAROLINA					
TITLE WPB W/ SHROUD - SAMSUNG					
SIZE C	SCALE 1:8	DOCUMENT NO. SSC-760250953S-XX			
 		DRAWING			SHEET 4 OF 4
		VERSION 00	STATUS RE	REVISION A	

4

3

2

1

