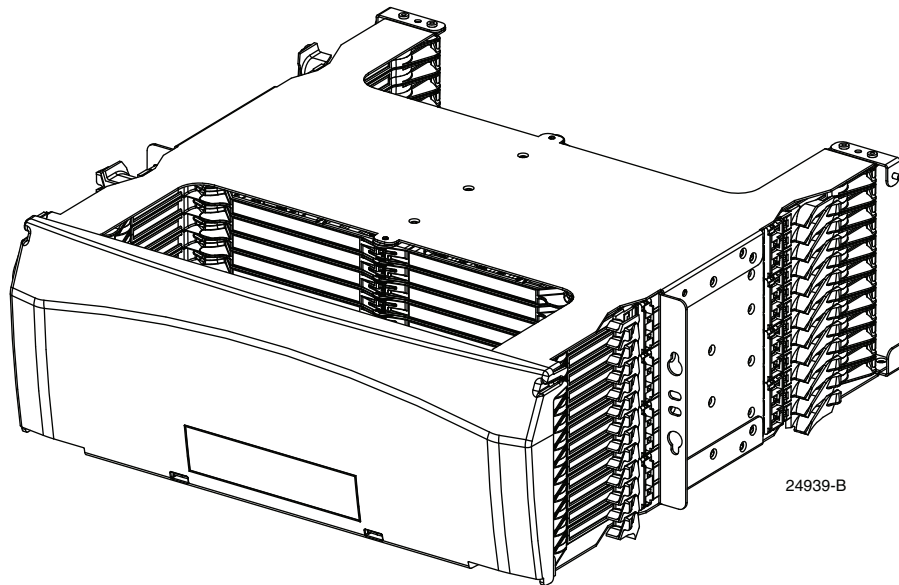


NG4access ODF Platform Universal Chassis



| Content | Page |
|--|----------|
| INTRODUCTION | 1 |
| 1 PRODUCT DESCRIPTION | 2 |
| 2 MAIN COMPONENTS | 3 |
| 3 GROUNDING AND BONDING THE CHASSIS | 4 |
| 4 CHASSIS INSTALLATION PROCEDURE | 4 |
| 5 DOOR INSTALLATION AND OPERATION | 6 |
| 6 WHERE TO FIND OTHER INFORMATION | 8 |
| 6.1 Adapter Pack and Module Installation Instructions | 8 |
| 6.2 Routing of Cables, Fibers, and Patch Cords | 8 |
| 6.3 Product Inquiries and Technical Support | 8 |

INTRODUCTION

This installation manual describes the NG4access ODF Platform Universal Chassis and provides all information needed to install this product. This product is intended to be used in a Network Telecommunication Facilities and is suitable for installation in an Integrated Bonding Network or a Common Bonding Network.

Revision History

| ISSUE | DATE | REASON FOR CHANGE |
|-------|----------------|-------------------------|
| 1 | 08/2012 | Original. |
| 2 | February 2017 | Rebranded to CommScope. |
| Rev E | September 2020 | Rev level corrected. |

Trademark Information

Commscope (logo) and CommScope are trademarks.

Admonishments

Admonishments — in the form of Dangers, Warnings, and Cautions — must be followed at all times. These warnings are flagged by use of the triangular alert icon, shown below.



Danger: *Danger is used to indicate the presence of a hazard that will cause severe personal injury, death, or substantial property damage if the hazard is not avoided.*



Warning: *Warning is used to indicate the presence of a hazard that can cause severe personal injury, death, or substantial property damage if the hazard is not avoided.*



Caution: *Caution is used to indicate the presence of a hazard that will or can cause minor personal injury or property damage if the hazard is not avoided.*

General Warning and Caution Statements



Danger: *Avoid eye exposure to unmated connectors. Unmated connectors may emit invisible laser radiation. Do not look directly into the end of a connector or an adapter port. Do not inspect with a magnifying device. To ensure safety, maintain caps on unmated connectors at all times.*



Caution: *Handle cables with care. Fiber optic cable stubs should be handled with care throughout the installation procedure to avoid kinking and damage to cables.*

1 PRODUCT DESCRIPTION

The NG4access universal chassis is a 19-inch (48.26 cm) rack-mount, high-density fiber optic panel providing up to 576 terminations using LC adapters (or 288 SC terminations). A NG4access frame fully loaded with six universal chassis provides 3456 LC terminations per frame in a GR-449 compliant footprint.

The chassis has features providing quick and easy access for connection and routing of fibers.

- Universal LC or SC adapter packs can be used with singlemode or multi-mode, APC or UPC connectors. LC packs have 12 adapters per pack (24 per access tray). SC packs have six adapters per pack (12 per access tray).

- Access trays can be moved toward front or rear to provide easy access to adapters from the front or rear side of the frame.
- Access trays can also be loaded with cabled modules that snap into position. Each cabled module is pre-terminated with 24 LC or 12 SC adapter/connectors and fibers. Snap-in MPO and VAM modules are also available.
- Routing guides manage the fibers within the chassis, allowing an access tray to be opened or closed with no pulling or pinching of fibers.

2 MAIN COMPONENTS

Figure 1 shows the main components of the universal chassis. They are as follows:

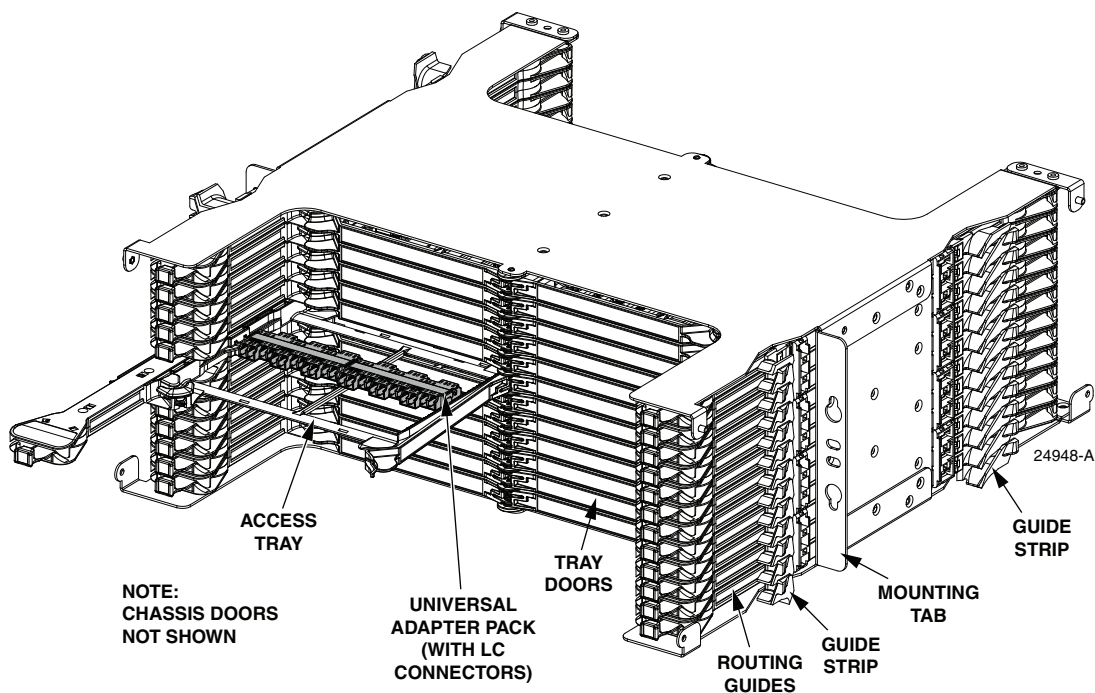


Figure 1. Main Components of NG4access Universal Chassis

- **Access Tray**—can be moved toward front or rear to provide front or rear access to adapter packs with the associated fibers and connectors. In place of adapter packs, each access tray may hold a snap-in cabled module, MPO module, or VAM module.
- **Tray doors**—swing out when an access tray is opened. Tray doors protect the individual access trays and provide laser eye protection.
- **Universal Adapter Pack (LC or SC)**—can be used with singlemode or multi-mode, APC or UPC connectors. LC packs have 24 adapters. SC packs have 12 adapters,
- **Routing Guide**—holds fibers in an optimal route when access trays are moved toward the front or rear of the chassis.

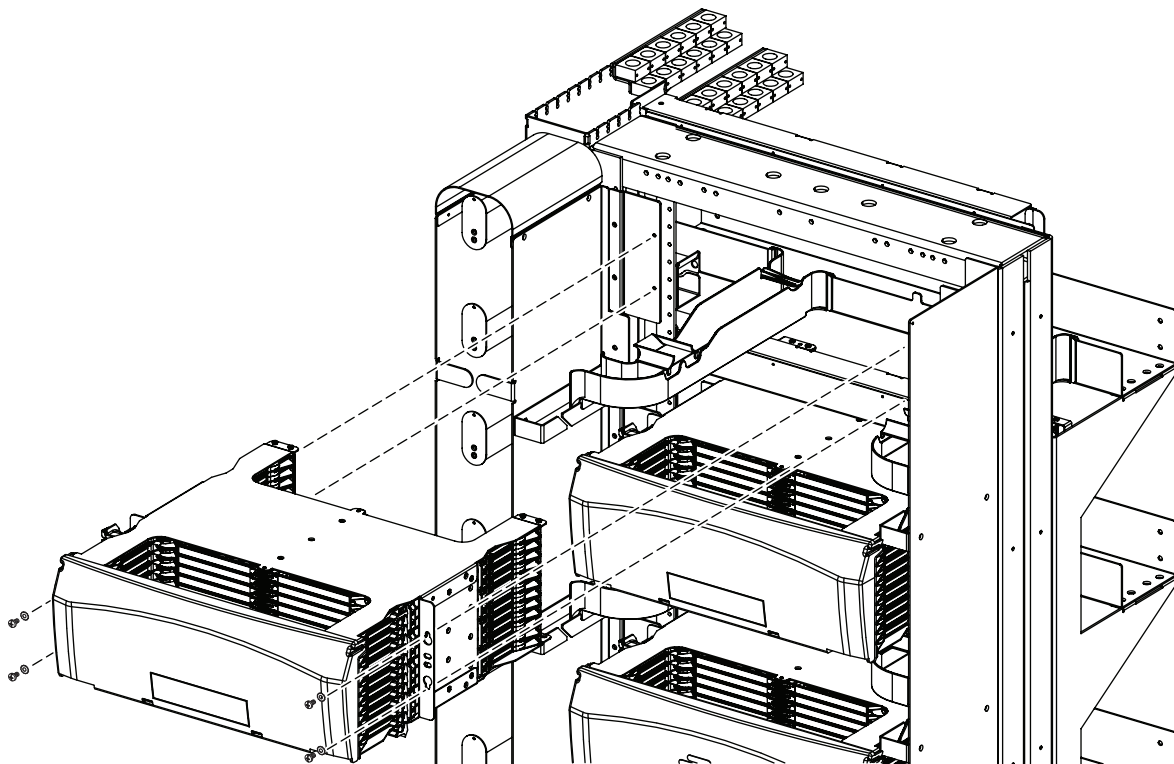
- **Mounting Tab**—provides a physical interface for mounting the chassis on a frame. The tabs hold four mounting screws, two on each side.
- **Guide Strip**—provides cable management for fibers routed into the chassis on the front or rear of the frame.

3 GROUNDING AND BONDING THE CHASSIS

The universal chassis uses thread-forming mounting screws to provide an electrical path between the chassis and the metalwork in which it is mounted. It is required that nonconductive coatings must be removed on the mating metal surfaces. Before installation the mating surfaces must be cleaned and coated with an antioxidant.

4 CHASSIS INSTALLATION PROCEDURE

1. Identify the frame location where chassis will be installed. Prepare area around mounting holes to provide a good ground (remove paint, clean, and coat with rust preventative).
2. Install screws and star washers into the two left side holes on the rack to hang the chassis on the rack, then install screws and washers in the right two holes. See [Figure 2](#).



26452-A

Figure 2. Installing Chassis in Frame

- **Note:** The frame has six locations for mounting of the chassis.
3. Install guide strips (provided) on front and rear of chassis. To install a strip, align the tabs on the strip with the slots on the chassis as shown in rear view in [Figure 3](#), then press the radius limiters into place as shown. Repeat for all four locations.

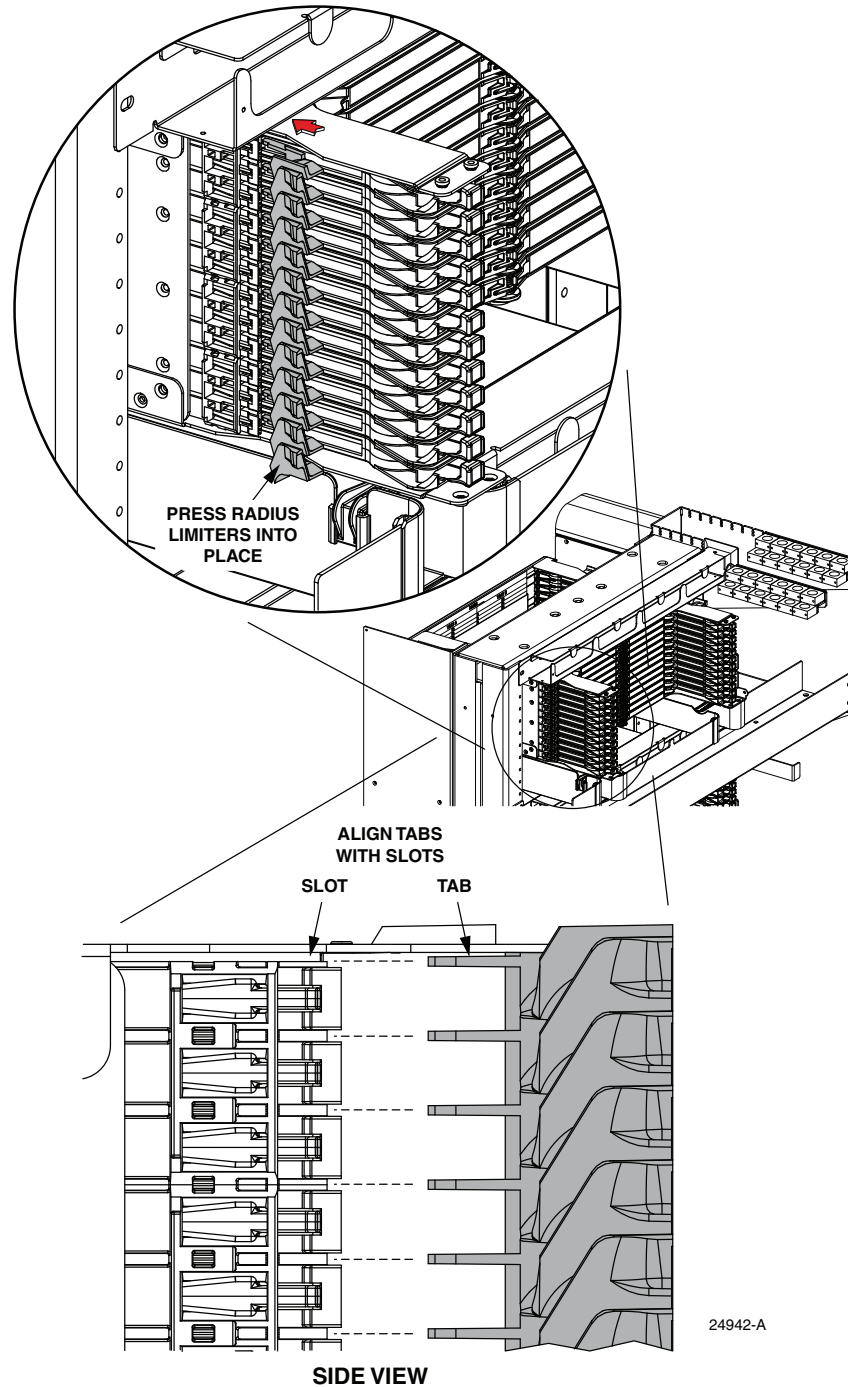


Figure 3. Installing Guide Strip On Universal Chassis

5 DOOR INSTALLATION AND OPERATION

The universal chassis is equipped with a separately packed door that when installed protects the access trays when the chassis is not being accessed.

To install the door:

1. Position the door at a 90 degree angle with respect to the chassis to align the tabs with the slotted hole, as shown in [Figure 4](#). Push out slightly on the mounting arms to clear the brackets, allowing the tabs to slide into the slotted hole.
2. Retract the slides and flip up the door to snap the door into a closed position as shown in [Figure 5](#).

To open the door:

1. Grasp the door at the top and unsnap it from the chassis.
2. Allow the door to hang down in the full open position shown in [Figure 6](#).

To close the door:

Retract the slides and flip up the door to snap the door into a closed position as shown in [Figure 5](#).

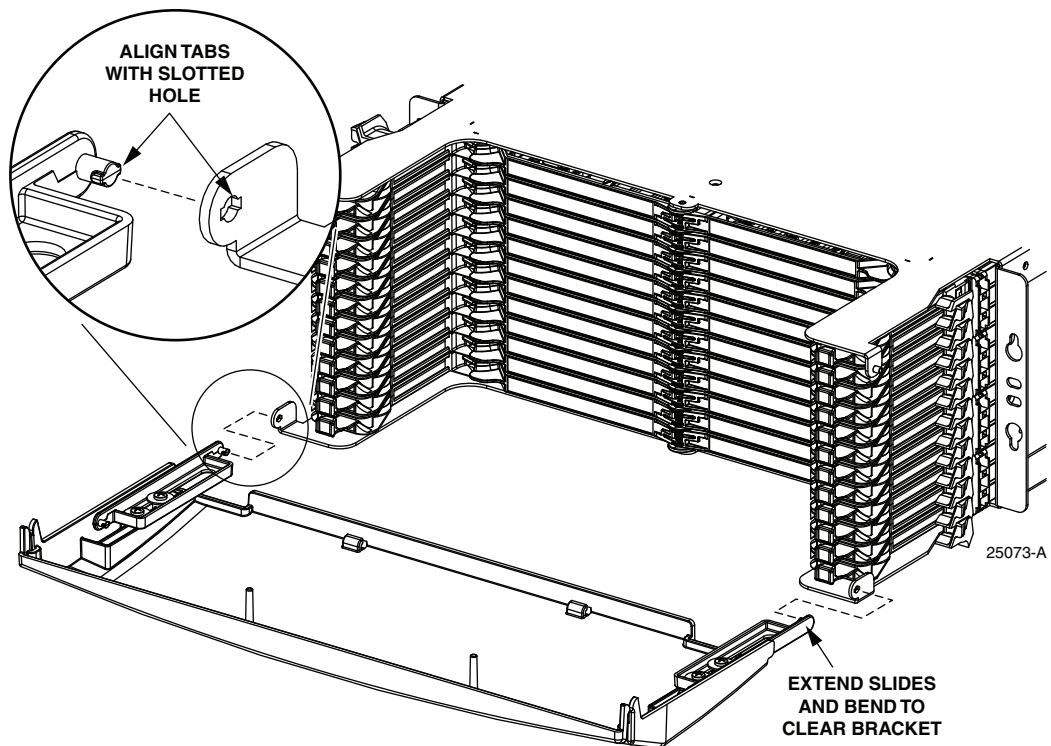


Figure 4. Lining Up Door With Slots

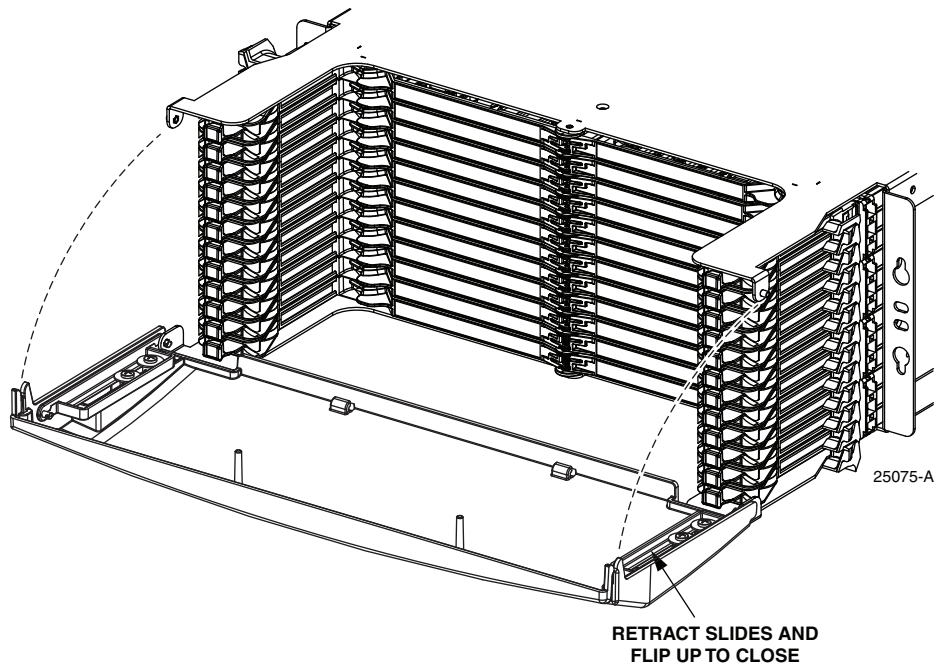


Figure 5. Closing Door

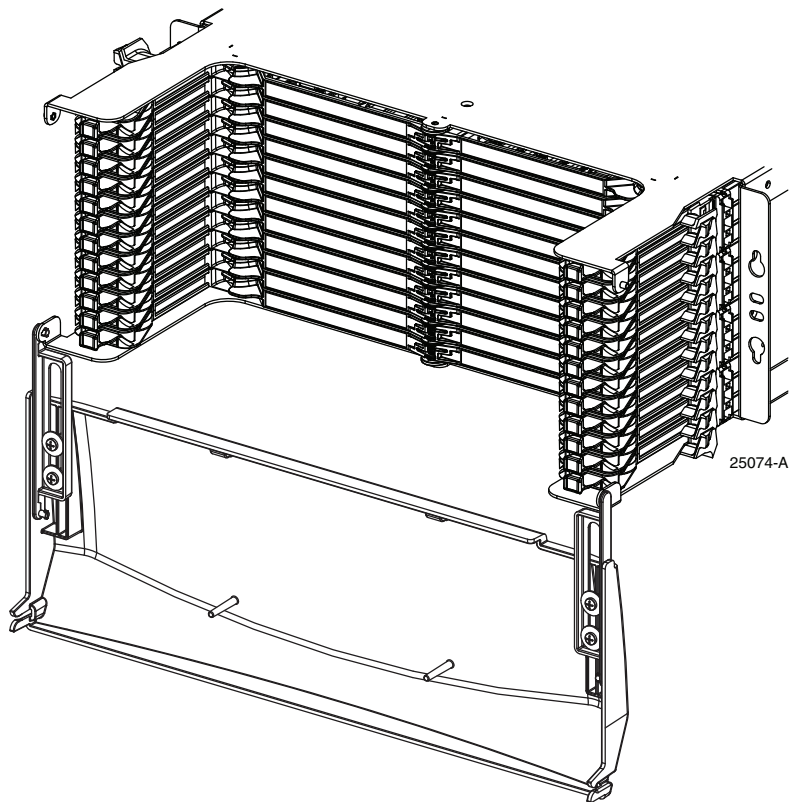


Figure 6. Door in Full Open Position

6 WHERE TO FIND OTHER INFORMATION

6.1 Adapter Pack and Module Installation Instructions

Refer to the laminated cards hanging on the rear of the frame.

6.2 Routing of Cables, Fibers, and Patch Cords

► **Note:** This product is designed for use with RBR (Reduced Bend Radius) fiber.

For cable routing on the rear of the frame, refer to the laminated cards hanging on the rear of the frame. For patch cord routing, refer to the laminated cards hanging on the front of the frame.

6.3 Product Inquiries and Technical Support

- To find out more about CommScope® products, visit us on the web at www.commscope.com
- For technical assistance, customer service, or to report any missing/damaged parts, visit us at <http://www.commscope.com/SupportCenter>
- For information on patents, refer to <http://www.cs-pat.com>

COMMSCOPE®